

MAC•N•HOM

MARINE EQUIPMENTS (P) LTD.

Let's make sailing safer

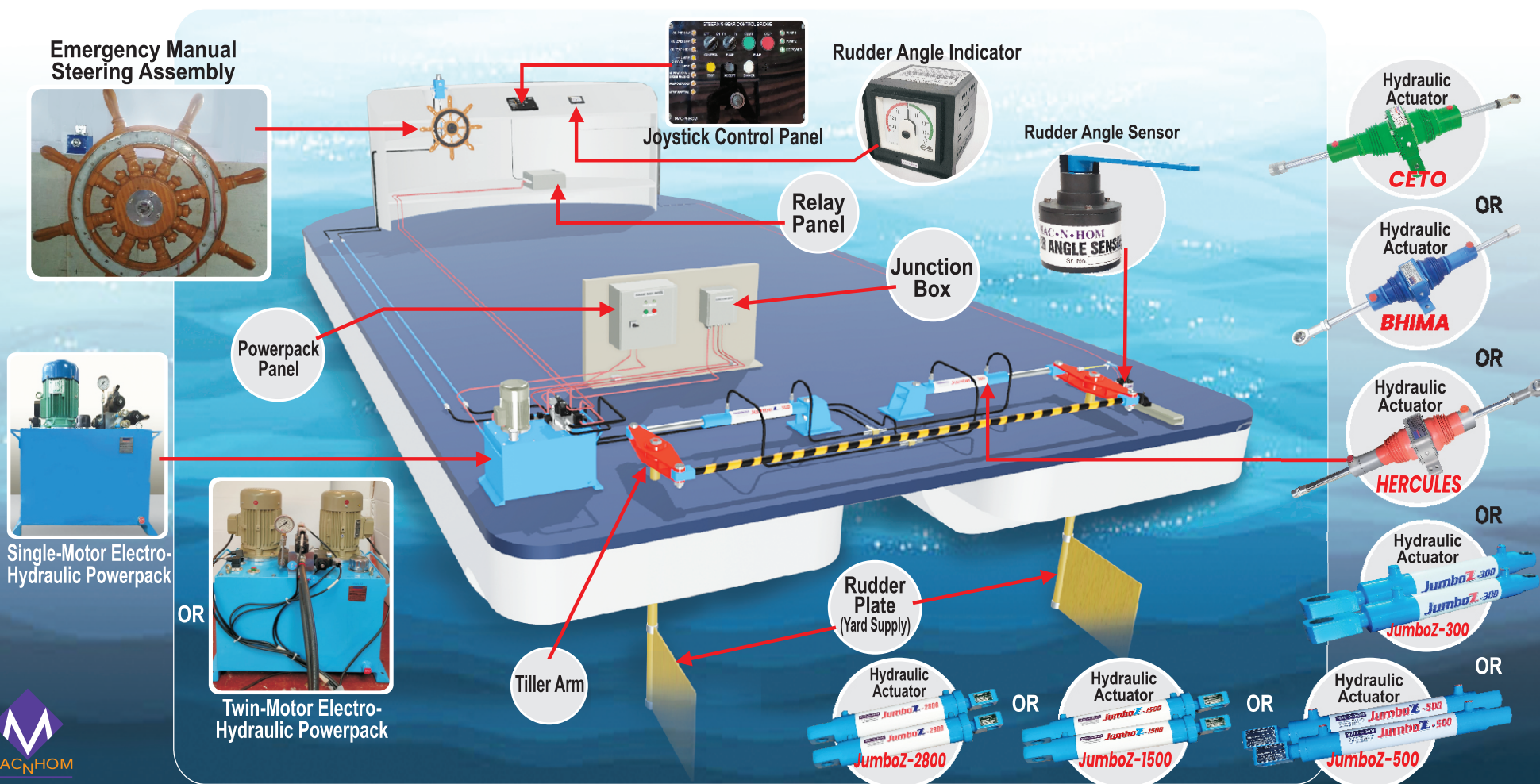
E-mail: info@macnhomsystems.com
www.macnhomsystems.com

Let's make sailing safer

At Mac N Hom Marine Equipments (P) Ltd., we are focused on range of products that meet the ever increasing demands of Marine based customers in terms of sophistication and diversification. We have brought to market innovative products, one after another to provide only the highest quality goods and services for your requirements and offer customised solutions and challenging applications quickly and cost effectively.



Mac-N-Hom make ELECTRO-HYDRAULIC STEERING SYSTEM



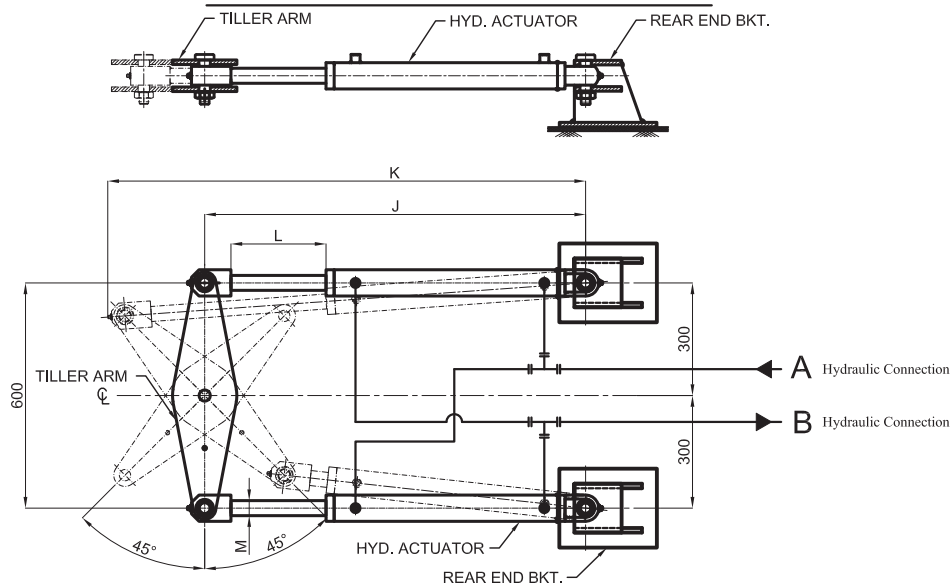
MAC•N•HOM MARINE EQUIPMENTS (P) LTD.

Mac-N-Hom make ELECTRO-HYDRAULIC STEERING SYSTEM

SPECIFICATIONS

MODEL	RAM DIAMETER	STROKE	FORCE @ 70 Kg/cm ²
JumboZ-300	30 MM x 2	260 MM	2252 Kgf.
JumboZ-500	40 MM x 2	440 MM	2444 Kgf.
JumboZ-1500	45 MM x 2	440 MM	5930 Kgf
JumboZ-2800	50 MM x 2	440 MM	9618 Kgf.

MOUNTING ARRANGEMENT OF HYD. ACTUTOR



SPECIFICATIONS

MODEL	J	K	L	M
JumboZ-300	710 MM	878 MM	150 MM	30 MM
JumboZ-500	1015 MM	1273 MM	254 MM	40 MM
JumboZ-1500	1015 MM	1288 MM	250 MM	45 MM
JumboZ-2800	1015 MM	1472 MM	242 MM	50 MM

DATA FOR STEERING SELECTION

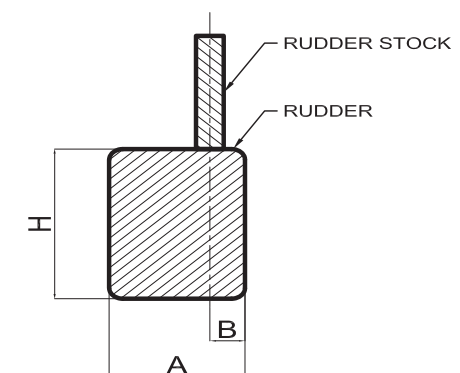
VESSEL DETAILS

Length of the Vessel		Meters
Breadth of Vessel		Meters
Draft of the Vessel		Meters
Hull form (Mono / Catamaran)		
No of Engines		Nos
Power of each Engine		HP
Speed of Vessel		Knots

RUDDER DETAILS (See Rudder Dwg.)

Breadth of Rudder A		Meters
Breadth of Semi-balanced Area B		Meters
Height of Rudder H		Meters
Number of Rudders		Nos
Vessel Regn. Class -	No Class / IRS / RINA / DNV / BV	

RUDDER DWG.



- NOTES: 1. Please fill in this data sheet with your Vessel data, and email to info@macnhomsystems.com or whatsapp to +91 90729 00576.
 2. All dimensions are in mm.
 3. Dimensions are reference purpose only; kindly confirm with our Technical Department.

Photos are representations only. Products are under continuous improvement.
 Specifications and details may change without notice.

MAC•N•HOM MARINE EQUIPMENTS (P) LTD.

57/187-C, 'VRINDAVAN', Chilavannur Road, Kadavanthra, Kochi-682 020, Kerala, India
 Mob.: + 91 9072900576, +91 484 2312396, 2319998, E-mail: info@macnhomsystems.com web site: www.macnhomsystems.com

CIN: U29308KL2018PTC055182

